

MADE IN THE U.S.A. PATENT NO. 8210559

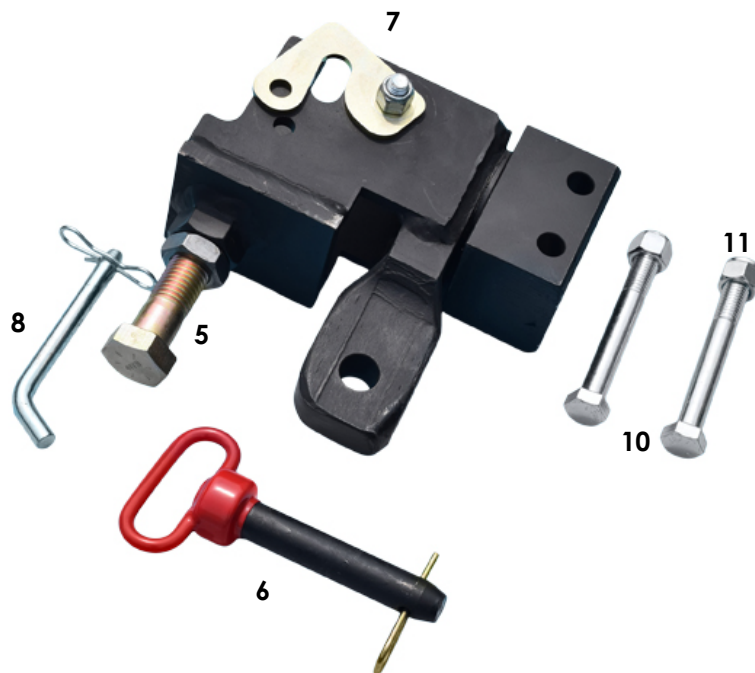
LOCK N ROLL™

TRAILER HITCHES

CONTENTS OF BOX No. 1



CONTENTS OF BOX No. 2

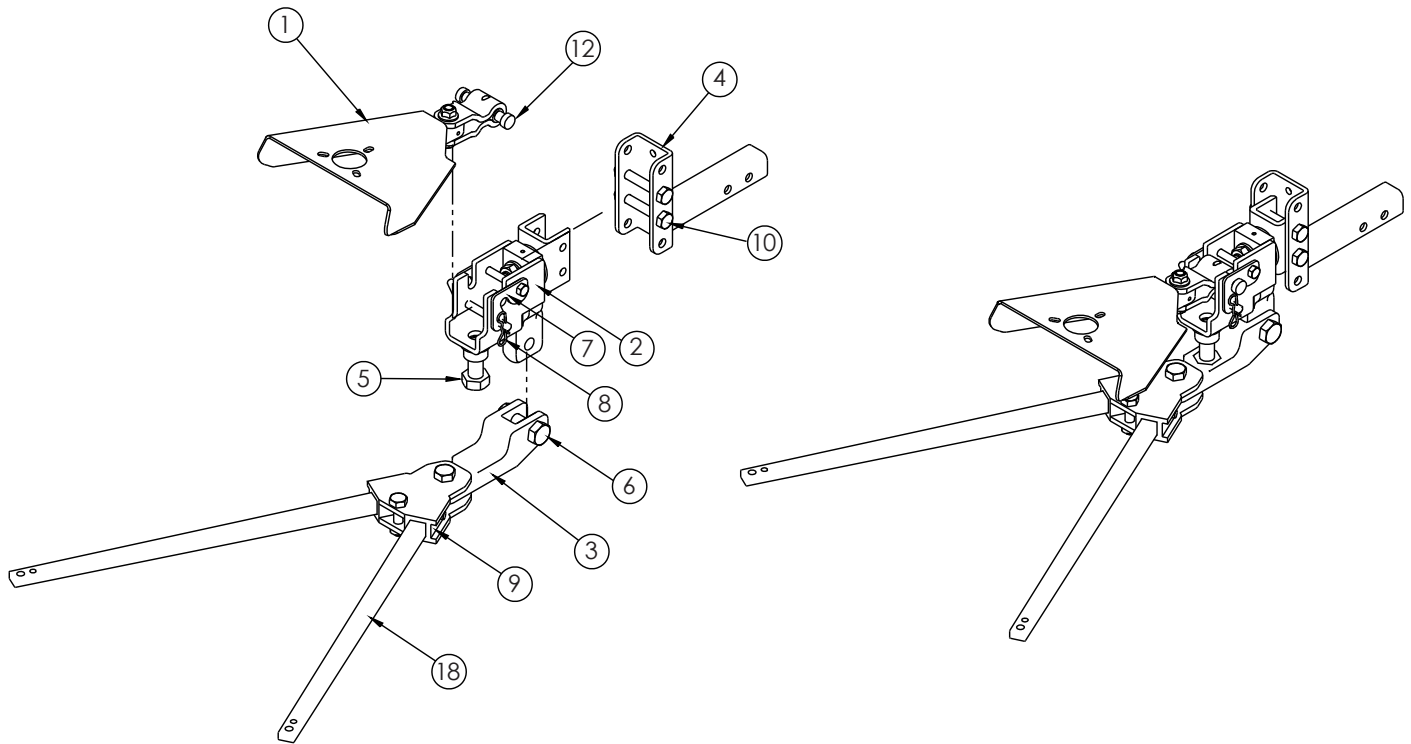


ITEM	PART No.	ITEM DESCRIPTION	QUANTITY
5	PN149	1" Bolt for adjusting the spring angle.	1
6	PN148	7/8" diameter pin	1
7	PN22C	Latch plates	2
8	PN25	1/2" hitch pin	1
9	PN150	1/4 x 2" Ring Detent locking pins	2
10	PN100	5/8"-11 x 4.5" Gr 5 bolt	2
11	PN102	5/8" nylon insert lock nut	2
12	PN86	Coupling shaft	1
13	PN155	Spherical Washer	2
14	PN152	Acme tensioning bolt	2
15	PN153	Acme nut	4
16	PN140	Tensioning bracket	2
17	PN157	1/2" bolt for tensioning bracket	2
18	PN145	Spring bar	2

MADE IN THE U.S.A. PATENT NO. 8210559

LOCK N ROLL™

TRAILER HITCHES



ITEM	PART No.	ITEM DESCRIPTION
1	TS504	Trailer side coupler. See the note below
2	WDH601	Upper portion of WDH
3	WDH602	Lever and Spring bar assembly
4	TS505	Adjustable height channel on a 2" tube.
5	PN 149	1" Bolt for adjusting the spring angle.
6	PN 148	7/8" diameter pin
7	PN22C	Latch plates
8	PN25	1/2" hitch pin
9	PN150	1/4 x 2" Ring Detent locking pins
10	PN100	5/8"-11 x 4.5" Gr 5 bolt
11	PN102	5/8" nylon insert lock nut
12	PN86	Coupling shaft
13	PN155	Spherical Washer
14	PN152	Acme tensioning bolt
15	PN153	Acme nut
16	PN140	Tensioning bracket
17	PN157	1/2" bolt for tesioning bracket
18	PN145	Spring bar

Note: All Lock N Roll trailer side couplers except for PN TS520 and PN TS526 can be used with the WDH